

# CashGuard Unico

## Technical Datasheet

For “over the counter checkouts” as in restaurants, pharmacies, bakeries and petrol stations CashGuard Unico is a good choice. It can handle up to 1 500 coins and 1000 banknotes.

CashGuard Unico is designed to enable the customer to insert both coins and banknotes. That way the cashier can put together the products at the same time as the customer completes the payment. The system has floor-mounted steel cabinets for easy installation and high security.



### Overview

Recycling:	All denominations
Max deposit speed:	3 seconds per note 0.2 second per coin
Max dispense speed:	5 coins per second 0.3 notes per second
Lock:	Electronic
Operating System:	Yocto Linux
Currencies:	EUR

### Coin Recycler MV10G

Colour:	Black
Inlet:	Bunch feed of coins
Outlet:	Multi coin bowl
Denominations:	Max 8
Recycling Capacity:	1 500 coins
Coin Box:	1 500 coins
Customer Interface:	Interactive RGB lights

### Note Recycler SV70G

Colour:	Black
Configuration:	Single feed of notes
Denominations:	Max 7
Recycling Capacity:	70 notes
Note Box:	1 000 notes

### Certifications and Compliance

#### CE

EMC Directive 2014/30/EU  
LVD Directive 2014/35/EU  
RoHS Directive 2011/65/EU  
WEEE Directive 2012/19/EU

#### Note Validation

ECB Decision ECB/2010/14

#### Reliability

MTBF: 100 000 notes/coins  
Technical life time: 7 years

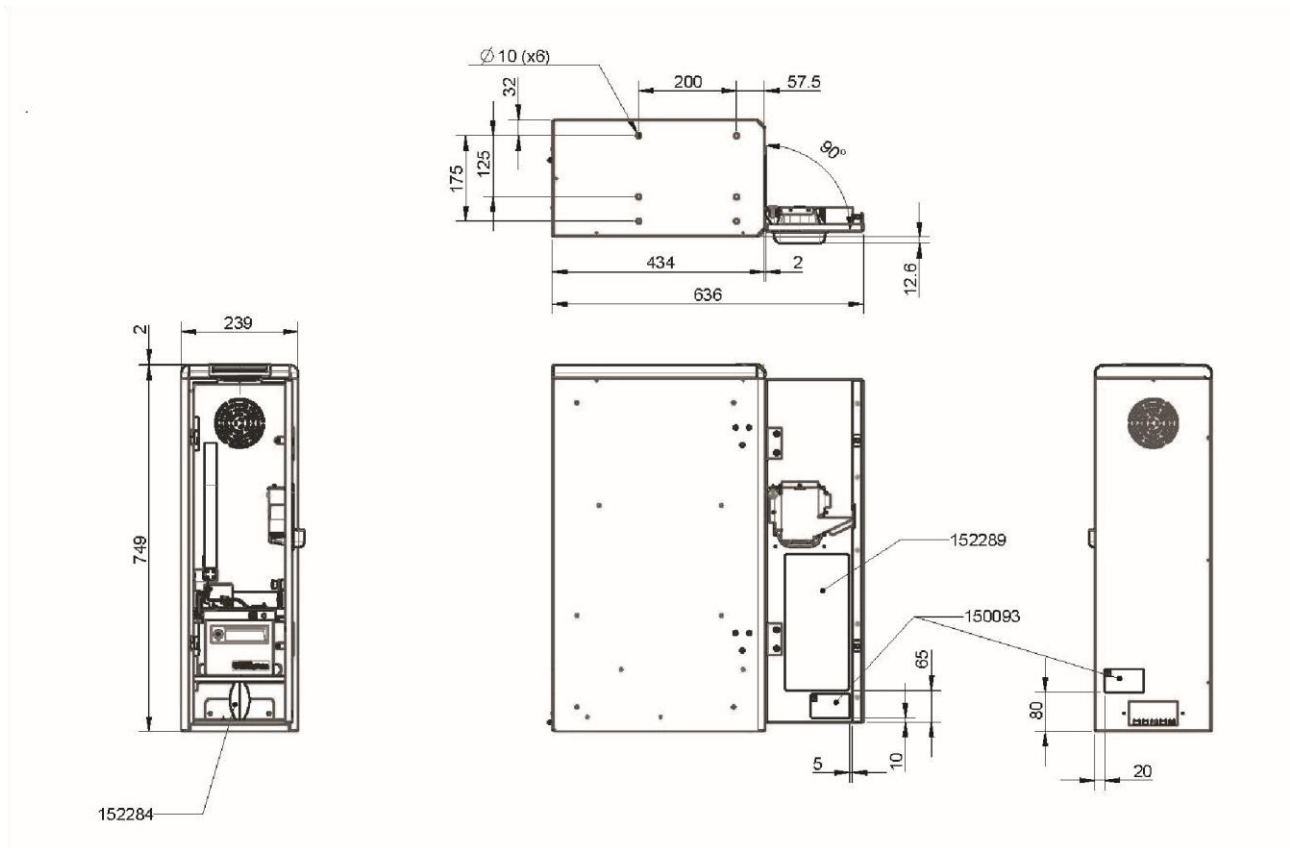
#### POS Protocol

Main Controller supporting:  
- Bi-directional API  
- Polled protocol

#### Back office Software

Store Manager v 6 or newer

# Outline Dimensions



## Mechanical Specifications

### Coin Recycler MV10G

Material:	1.5 mm steel
Width:	239 mm
Height:	749 mm
Depth:	434 mm
Weight:	31 kg (excl. coins)

### Note recycler SV70G

Material:	1.5 mm steel
Width:	239 mm
Height:	749 mm
Depth:	434 mm
Weight:	32 kg

## Electric/Software Specifications

### Power Supply

Voltage:	100-230 V AC 50/60 Hz
Current:	4 A
Max:	221 W
Idle:	20 W

### Connections

POS:	RS232-TCP/IP-USB B
Store Manager:	TCP/IP
Recyclers:	24V and RS232 combined
Log/Update	2 x USB A